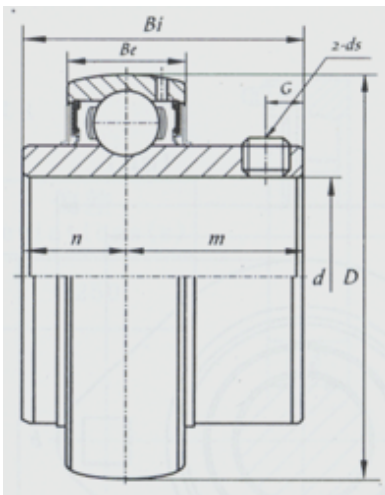


Radial insert ball bearing

UC200 Series-UCW201



Bearing No.	UCW201
d	
(mm)	12
(in.)	
Dimensions [mm]	
D	40
Bi	27.4
Be	14
n	11.5
m	15.9
G	4
ds	M5x0.8

Luoyang Auto Bearing Co.,Ltd-Tel:0598-3607100-Email:moore@lyautobearing.com-http://www.auto-bearing.com